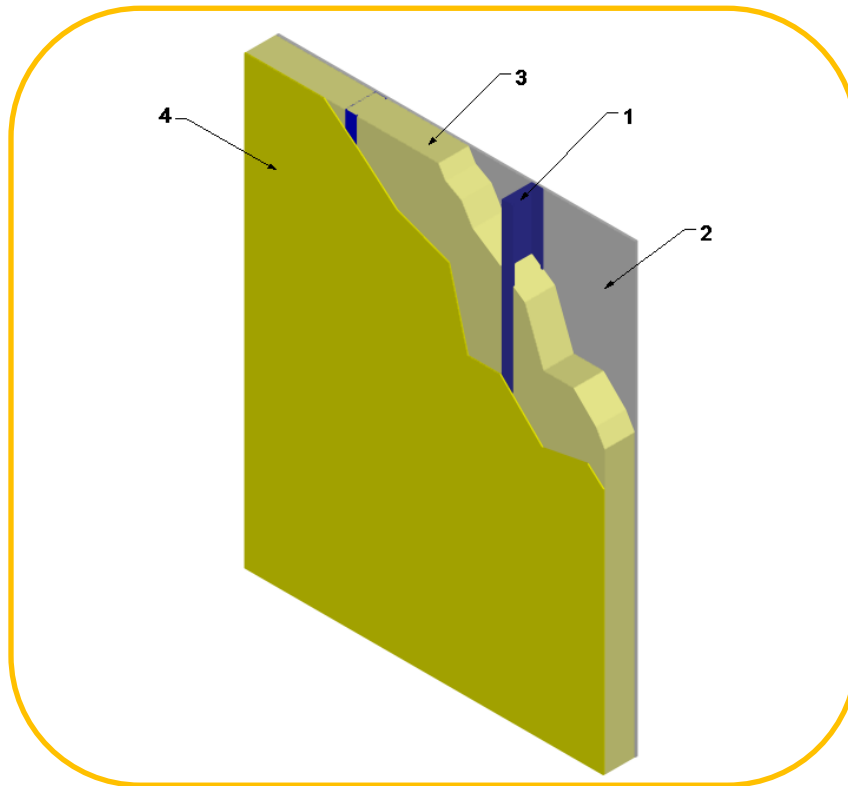


Gaco Western LLC.
Design No. GWL/FI 30-03
Non-Load Bearing Wall System
Gaco FR6500R and GacoGreen 052N
NFPA 285 (2012)
Rating: Meets Conditions of Acceptance



- 1. WALL FRAMING:** Install 3-5/8 in. deep, 20 GA galvanized steel studs spaced max. 24 in. on center (oc). Secure steel studs to 3-5/8 in. 20 GA top and bottom track (not shown) using #8, 1/2 in. long, self-tapping, pan head framing screws.

OPTIONAL: Install nominal 2 x 4 fire-retardant treated wood studs, complying with the definition and requirements prescribed in the International Building Code. Studs shall be spaced maximum 16 in. oc.

- 2. GYPSUM BOARD:** Install 5/8 in. thick Type X gypsum board, installed with long dimension perpendicular to studs (Item 1). Attach to steel studs (Item 1) using #6, Type S, 1-1/4 in. long, self-tapping, bugle head screws. Attach to wood studs (Item 1) using #6, 1-5/8 in. long, coarse thread, bugle-head screws, or use #13, 1-5/8 in. drywall nails.

Fasteners for fire-retardant treated wood studs shall be of hot-dipped zinc-coated galvanized steel, stainless steel, silicon bronze, or copper.



Division 07 – Thermal and Moisture Protection
07 21 00 Thermal Insulation
07 21 19 Foamed-In-Place Insulation

Space fasteners 8 in. oc around perimeter and 12 in. oc in the field.

- 3. CERTIFIED MANUFACTURER:** Gaco Western, LLC.

CERTIFIED PRODUCT: Spray Polyurethane Foam Insulation

CERTIFIED MODEL: Gaco FR6500R and GacoGreen 052N

INSULATION: Spray-apply a nominal 3-5/8 in. thick layer of either Gaco FR6500R or GacoGreen 052N at their nominal densities of 0.55 pcf and 0.50 pcf respectively, to completely fill the steel stud (Item 1) cavity.

- 4. EXTERIOR SHEATHING:** Install 5/8 in. thick, GP DensGlass® Gold Exterior Sheathing to the exterior side of studs (Item 1). Install sheathing with long dimension perpendicular to steel

studs using #6, Type S, 1-1/4 in. long self-tapping, bugle head screws. Attach to wood studs (Item 1) using #6, 1-5/8 in. long, coarse thread, bugle-head screws, or use #13, 1-5/8 in. drywall nails.

Fasteners for fire-retardant treated wood studs shall be of hot-dipped zinc-coated galvanized steel, stainless steel, silicon bronze, or copper.

Space fasteners 8 in. oc around perimeter and 12 in. oc in the field.

- 5. OPENINGS (Not Shown):** Openings must be protected with 20 GA steel framing.
- 6. FLOORLINE FIRESTOPPING (Not Shown):** Install 4.0 in. thick, 4.0 pcf mineral wool in the stud cavity at the floor lines.